

FILLING MACHINE

SEMI-AUTOMATIC OVERFLOW FILLERS



APACKS FRO-2000-AP Semi Automatic Linear Overflow Filler is typically used in consumer packaging applications where a consistent visual (cosmetic) fill level is required.

The FRO-2000-AP is manufactured with a heavy duty 304 stainless steel, tigwelded frame and is available with 2 or 4 Fill Heads. It also comes standard with PLC Controls and touch screen HMI, stainless steel Filling Heads, and Product Supply Pump (dependent on product), plus many more features. Options are available for even more versatility.

Overflow Fillers are commonly used for filling beverages and other thin products, especially where foam or bottle inconsistency might be an issue. APACKS Overflow Filler can be built to suit sanitary, hazardous, flammable and corrosive environments.

SPECIFICATION

Standard Construction: Heavy duty 24" wide, 304SS tig-welded frame

Number of Fill Heads: 2 or 4

Filling Size: 2oz to 1gal with upgradable capability

Filling Speed: Dependent on operator & products

Power Requirement: 120V, single phase, 10 amp, 50-60Hz

Air Requirement: 2-5CFM @ 90PSI clean, dry, compressed air

Dimensions & Weight:

- Width - 36.24" (921mm)
 - Height - 69.81" (1773mm)
 - Weight - 570lbs (258.55kgs) TM
- Standard Features:**
- PLC Controls
 - Stainless steel Filling Heads and Filling Nozzles (Nozzles purchased separately)
 - One-way valve to keep heads full of product between filling cycles
 - Product return (overflow) to be rejoined and returned to bulk tank
 - Fill Head Pump (dependent on product)
 - Foot Pedal
 - Cycle Selector Switch Foot Pedal or Auto Mode
 - Mounted on 4 heavy duty threaded, leveling legs



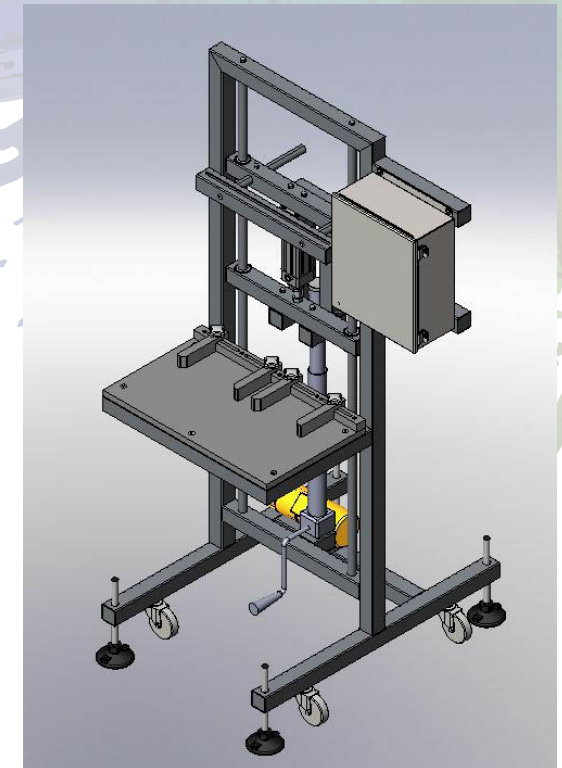
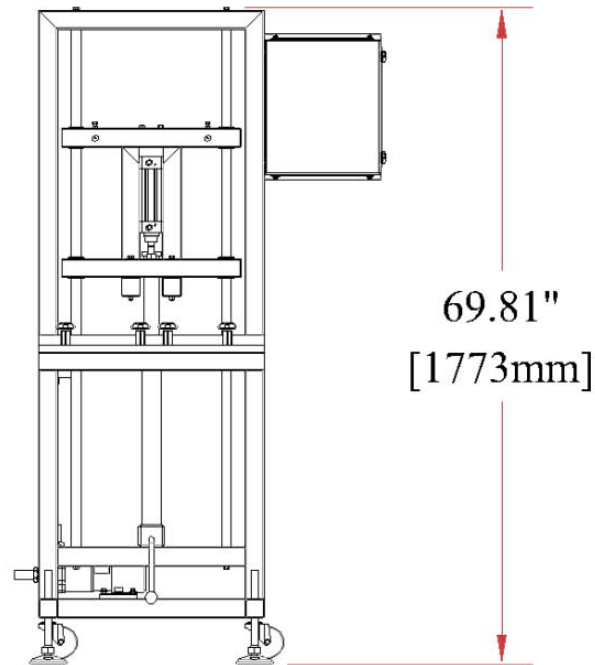
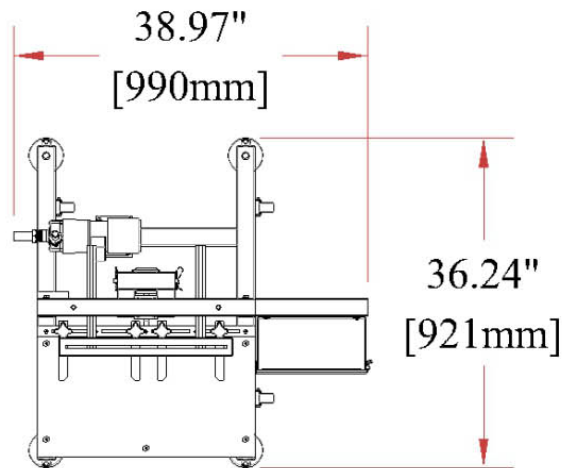
FILLING MACHINE

SEMI-AUTOMATIC OVERFLOW FILLERS



OPTIONS

- 316SS or plastic wetted contact parts
- Product Supply Pump
- Modifications for large/miniature containers
- Custom applications
- Special electrical requirements
- Additional remote E-stops
- Sanitary, hazardous, flammable and corrosive environment construction



- *Complete line of filling and packaging solutions*
- *Standard filling machines in stock and ready to ship*
- *Economical prices, installation services and excellent customer service*

1500 Lake Street, La Porte, Indiana 46350
Local & Outside US: 219-369-4131
Toll Free: 866-369-9030
Fax: 574-975-2711

sales@apacks.com
www.apacks.com